

APPLICATIONS

Lifting of various loads.

DESCRIPTION

Pal-Beam is a range of fixed or adjustable lifting beams, fitted with 2 lower exclusive pivots as lower lifting points, allowing additional lifting applications with inclined beam and/ or lower pivot:

A- Lifting with symmetrical or asymmetrical lower pivots, pulling sideways outside or inside (max angle 15°).

B- Lifting with the profile inclined at 6° out of the horizontal line:

- Vertical traction with symmetrical
- Sideways traction with asymmetrical lower pivots.

These lower pivots enable the hooking of accessories such as hooks, slings...

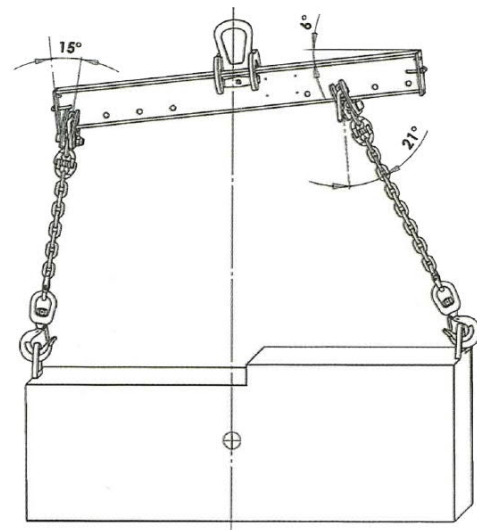
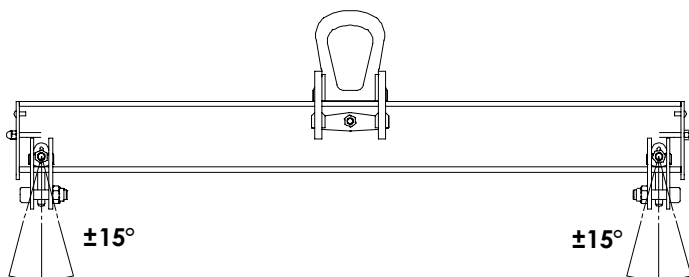
Adjustable model: Lower pivots adjustments on the profile are done through a safety spindle to a 100 mm increment.

FUNCTIONING

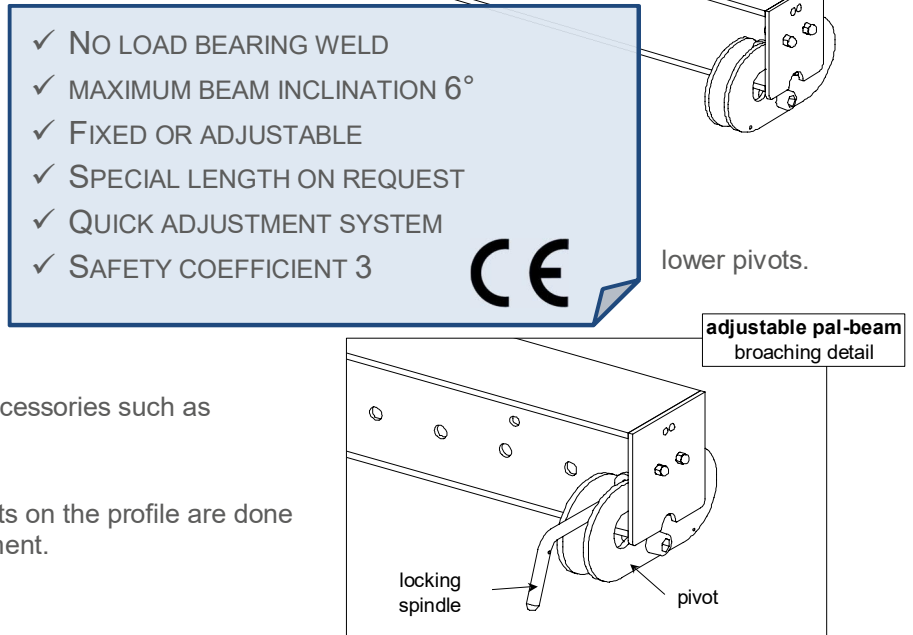
Hang pal-beam® onto the lifting means. (*for the adjustable model only:* adjust both lower pivots – by taking into account the load geometry – by sliding them onto the profile and lock the pivots' position thanks to the safety spindles). Hang the load on the lifting beam and lift by making sure everything is well balanced.

IMPORTANT INSTRUCTIONS

- Sideways traction: adhere to the max recommended inclination angles.
- Working temperature: -20° to +100°C.



innovative adjustable default settings



GENERAL CHARACTERISTICS

- Manufactured without load bearing welds.
- Hot epoxy coating.
- Safety factor: 3 in accordance with the EN 13155.2003 norm.
- Product conforms to the French regulation, in particular the decree of 01/03/2004 relating to the check on lifting devices and the European Directive n°98/37.
- Product with EC marking and delivered with a declaration of conformity and instructions for use.

DIMENSIONAL CHARACTERISTICS

WLL kg	Ref.	L max effective length	F = fixed/ M = adjustable load-centre		Hp dead height with hooks	H perdue à l'entraxe	A x B Ring opening	J x I Ring section	PI safety catch passage	Lifting beam weight kg	dimensions			Hooks passage			
			Group code Fixed load- centre	Group code Adjustable load- centre							L x I x H	C	D	E	F		
1000	PBF/MA1-A	L = 1000	51338	51838	411	269	105x74	24x15	21	33	1110x274x331	16	24	15	37		
	PBF/MA1-B	1001 ≤ L ≤ 1500	51348	51848						(L*x20)+12	(L+110)x274x331						
	PBF/MA1-C	1501 ≤ L ≤ 1999	51358	51858						(L*x20)+12	(L+110)x274x331						
	PBF/MA1-D	L = 2000	51368	51868						52	2110x274x331						
	PBF/MA1-E	2001 ≤ L ≤ 2500	51378	51878						(L*x20)+12	(L+110)x274x331						
	PBF/MA1-F	2501 ≤ L ≤ 2999	51388	51888						(L*x20)+12	(L+110)x274x331						
	PBF/MA1-G	L = 3000	51398	51898						72	3110x274x331						
	PBF/MB1-H	3001 ≤ L ≤ 3500	51408	51908						(L*x30,5)+17	(L+125)x380x379						
	PBF/MB1-I	3501 ≤ L ≤ 3999	51418	51918						(L*x30,5)+17	(L+125)x380x379						
	PBF/MB1-J	L = 4000	51428	51928						141	4125x380x379						
2000	PBF/MA2-A	L = 1000	51438	51938	451	309	105x74	24x15	21	33	1110x274x331	16	24	15	37		
	PBF/MB2-B	1001 ≤ L ≤ 1500	51448	51948						(L*x30,5)+17	(L+125)x380x379						
	PBF/MB2-C	1501 ≤ L ≤ 1999	51458	51958						(L*x30,5)+17	(L+125)x380x379						
	PBF/MB2-D	L = 2000	51468	51968						80	2125x380x379						
	PBF/MB2-E	2001 ≤ L ≤ 2500	51478	51978						(L*x30,5)+17	(L+125)x380x379						
	PBF/MB2-F	2501 ≤ L ≤ 2999	51488	51988						(L*x30,5)+17	(L+125)x380x379						
	PBF/MB2-G	L = 3000	51498	51998						110	3125x380x379						
	PBF/MC2-H	3001 ≤ L ≤ 3500	51508	52008						(L*x35,5)+22	(L+125)x394x424						
	PBF/MC2-I	3501 ≤ L ≤ 3999	51518	52018						(L*x35,5)+22	(L+125)x394x424						
	PBF/MC2-J	L = 4000	51528	52028						167	4125x394x424						
3000	PBF/MB3-A	L = 1000	51538	52038	478	310	105x74	24x15	24	50	1125x380x379	20	32	18	36		
	PBF/MB3-B	1001 ≤ L ≤ 1500	51548	52048						(L*x30,5)+17	(L+125)x380x379						
	PBF/MB3-C	1501 ≤ L ≤ 1999	51558	52058						(L*x30,5)+17	(L+125)x380x379						
	PBF/MB3-D	L = 2000	51568	52068						80	2125x380x379						
	PBF/MC3-E	2001 ≤ L ≤ 2500	51578	52078						(L*x35,5)+22	(L+125)x394x424						
	PBF/MC3-F	2501 ≤ L ≤ 2999	51588	52088						(L*x35,5)+22	(L+125)x394x424						
	PBF/MC3-G	L = 3000	51598	52098						131	3125x394x424						
	PBF/MD3-H	3001 ≤ L ≤ 3500	51608	52108						(L*x42,5)+29	(L+125)x421x474						
	PBF/MD3-I	3501 ≤ L ≤ 3999	51618	52118						(L*x42,5)+29	(L+125)x421x474						
	PBF/MD3-J	L = 4000	51628	52128						202	4125x421x474						
4000	PBF/MC4-A	L = 1000	51638	52138	520	345	117x82	26x15	25	60	1125x394x424	24	32	18	45		
	PBF/MC4-B	1001 ≤ L ≤ 1500	51648	52148						(L*x35,5)+22	(L+125)x394x424						
	PBF/MC4-C	1501 ≤ L ≤ 1999	51658	52158						(L*x35,5)+22	(L+125)x394x424						
	PBF/MC4-D	L = 2000	51668	52168						96	2125x394x424						
	PBF/MD4-E	2001 ≤ L ≤ 2500	51678	52178						(L*x42,5)+29	(L+125)x421x474						
	PBF/MD4-F	2501 ≤ L ≤ 2999	51688	52188						(L*x42,5)+29	(L+125)x421x474						
	PBF/MD4-G	L = 3000	51698	52198						160	3125x421x474						
	PBF/ME4-H	3001 ≤ L ≤ 3500	51708	52208						(L*x60,5)+37	(L+125)x436x530						
	PBF/ME4-I	3501 ≤ L ≤ 3999	51718	52218						(L*x60,5)+37	(L+125)x436x530						
	PBF/ME4-J	L = 4000	51728	52228						283	4125x436x530						
5000	PBF/MD5-A	L = 1000	51738	52238	563	388	129x90	30x20	25	75	1125x421x474	24	32	18	44		
	PBF/MD5-B	1001 ≤ L ≤ 1500	51748	52248						(L*x42,5)+29	(L+125)x421x474						
	PBF/MD5-C	1501 ≤ L ≤ 1999	51758	52258						(L*x42,5)+29	(L+125)x421x474						
	PBF/MD5-D	L = 2000	51768	52268						117	2125x421x474						
	PBF/ME5-E	2001 ≤ L ≤ 2500	51778	52278						(L*x60,5)+37	(L+125)x436x530						
	PBF/ME5-F	2501 ≤ L ≤ 2999	51788	52288						(L*x60,5)+37	(L+125)x436x530						
	PBF/ME5-G	L = 3000	51798	52298						223	3125x436x530						
	PBF/ME5-H	3001 ≤ L ≤ 3500	51808	52308						(L*x60,5)+37	(L+125)x436x530						
	PBF/ME5-I	3501 ≤ L ≤ 3999	51818	52318						(L*x60,5)+37	(L+125)x436x530						
	PBF/ME5-J	L = 4000	51828	52328						283	4125x436x530						

DIMENSIONAL CHARACTERISTICS

Range of adjustment

- length inferior or equal to 1500 mm
adjustment on 300 mm on each side of the upper lifting point (ie 600 mm as total).
- length superior to 1500 mm
adjustment on 500 mm on each side of the upper lifting point (ie 1000 mm as total).

The adjusting increment is 100 mm.

WLL lifting beam kg	Group code	Hook ref.*
1 000	52338	CRE1.6
2 000		
3 000	52358	CRE2.5
4 000	52368	CRE3.2
5 000		

* swivel hook with safety catch per unit

